

- 1 Motherboards
- 2 Disk-Size SBCs
- 3 CPU Modules
- 4 PC/104 Pulse
- 5 CPU Card
- 6 Embedded Systems
- 7 Network Security Appliances

SI-96 Signature Book™

Designed for Signage Solution



Features

- Compact chassis for digital signage application
- Onboard Intel® Celeron® M Processor 550 2.0GHz, optional Socket P for Intel® Core™2 Duo T7500
- Segregated-flow thermal solution – keeps electronics free of dust and contaminants for reliability
- Low noise, magnetic levitation bearing fans

Specifications

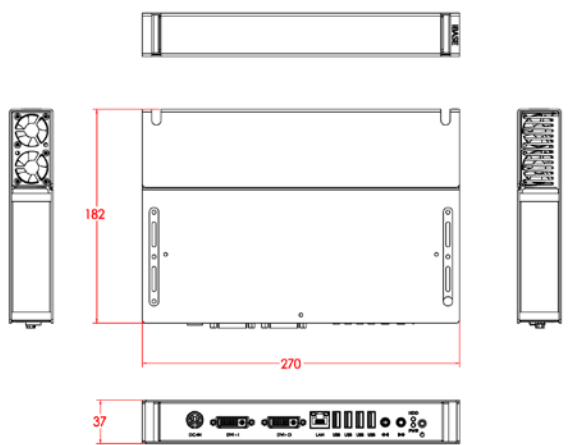
| | |
|-------------------|---|
| System Mainboard | IB826 |
| CPU Type | Onboard Intel® Celeron® M Processor 550 / Socket P for Intel® Core™2 Duo T7500 |
| System Speed | 2.0GHz (Celeron® M 550) / 2.2GHz (T7500) |
| Memory | 1x DDR2 SO-DIMM, Max. 2GB |
| LAN | 1x Intel® 82574L Gigabit controller |
| Watchdog Timer | 256 segments, 0, 1, 2...255 (sec/min) |
| Power Requirement | +12V@ 4.1A |
| Construction | Aluminum |
| Weight | 1.8Kg (3.97lbs) |
| Chassis Color | Black |
| I/O Interface | 1x DVI-I, 1x DVI-D, 4x USB ports, 1x RJ45 connectors, KB/MS connector, Power button, DC-in jack |
| Storage | 1x 2.5" HDD drive bay |
| Power Supply | 80W power adaptor |
| Mounting | Designed with wall mounting holes |
| Dimensions | 270mm(W) x 182mm(D) x 37mm(H) |

Environmental

| | |
|-----------------------|---|
| Operating Temperature | 0°C~ 45°C (32°F~113°F) |
| Storage Temperature | -20° ~ 80°C |
| Relative Humidity | 5~90% @ 45°C, (non-condensing) |
| Vibration | CFD: 5 grms / 5~500Hz / random operation HDD: 0.25 grms / 5~500Hz / random operation |

Ordering Information

| | |
|---------|---|
| SI-96 | Signage System with IB826 SBC, Intel® Celeron® M 550 (2.0GHz) CPU, 1GB DDR2, 2.5" 80GB HDD, 80W power adaptor |
| SI-96M | Signage System w/o CPU, RAM, HDD, w/ 80W power adaptor |
| SI-VESA | VESA mounting kit |



Remarks: 1. ODM/OEM is available
 2. Socket P- based system also available for Intel® Core™2 Duo T7500 CPU
 3. Specifications are subject to change without prior notice.